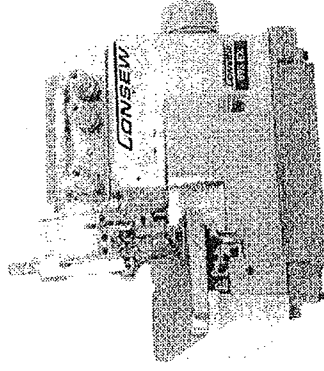
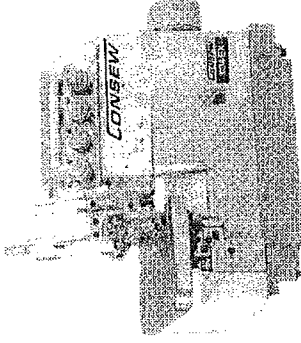


*Since 1898*  
**CONSEW®**

L—CONSOLIDATED SEWING MACHINE CORP.

# PARTS MANUAL FOR Models 693EX & 694EX



**Safety Stitch & Overedging Machines**

Specifications subject to change without notice.

©2004 Consew -304- Printed in USA

From the library of: Diamond Needle Corp



— CONSOLIDATED SEWING MACHINE CORP.

# PARTS MANUAL FOR Models 693EX & 694EX

## TABLE OF CONTENTS

	PAGE
A. MACHINE BED FRAME .....	2-3
B. MACHINE BED FRAME .....	4-5
C. MACHINE BED FRAME .....	6-7
D. MISCELLANEOUS THREAD EYELETS .....	8-9
E. CRANKSHAFT DRIVE MECHANISM .....	10-11
F. THREAD TENSION MECHANISM .....	12-13
G. NEEDLE DRIVE MECHANISM .....	14-15
H. UPPER LOOPER DRIVE MECHANISM .....	16-17
I. LOWER LOOPER DRIVE MECHANISM .....	18-19
J. FEED MECHANISM .....	20-21
K. FEED MECHANISM .....	22-23
L. KNIFE DRIVE MECHANISM .....	24-25
M. PRESSER FOOT MECHANISM .....	26-27
N. LUBRICATION MECHANISM .....	28-29
O. LUBRICATION MECHANISM .....	30-31
P. PARTS FOR SEMI-SUBMERGED INSTALLATION .....	32-33
Q. ACCESSORIES .....	34-35



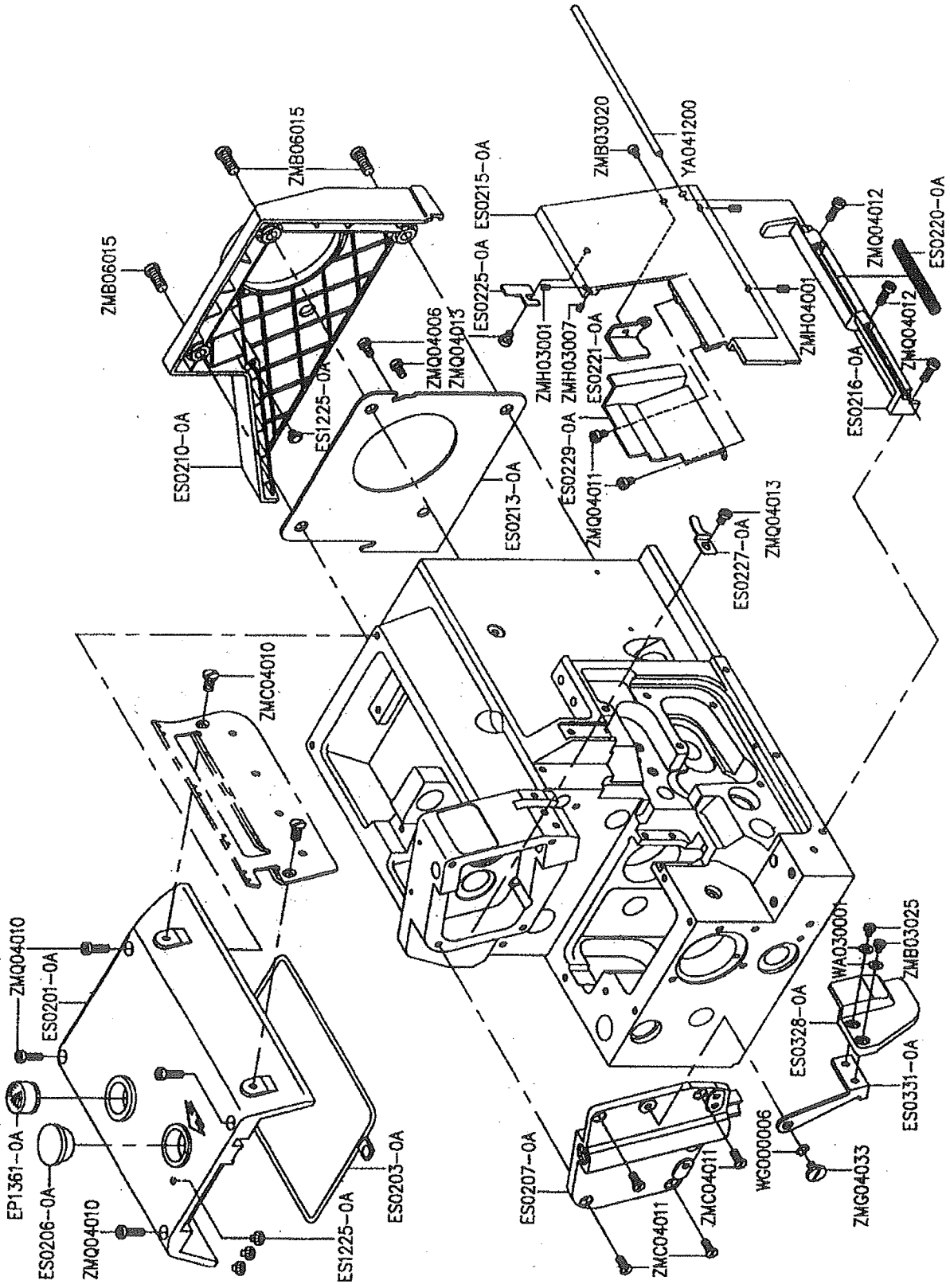
**Consew 693EX/694EX**

**A. MACHINE BED FRAME**

Part No	Name of Part	Q'TY	Part No	Name of Part	Q'TY
A1019-0A	PIN	4	XA300015	OIL WICK	1
ES1015-0A	NAME PLATE	1	XA300120	OIL WICK	1
ES1018-0A	SERIAL NUMBER	1	XB400038	FELT	1
ES1018-0A	PIPE	2	XB400040	FELT	1
ES1019-0A	PIN	1	XP400037	TUBE	1
ES1011-0A	BRACKET ASSEMBLY	1	YA070100	PIN	1
ES1013-0A	BED PIN	4	YD050010	PIN	1
ES1016-0A	OIL MARK	1	YD050014	PIN	1
ES1017-0A	MARK	3	YD050018	PIN	1
ES0318-0A	LATCH	1	ZMB03507	SCREW (M3.5-0.6x4.5)	1
ES0320-0A	PLATE	1	ZMC04007	SCREW (M4-0.7x7.3)	2
ES1016-01B	NAME PLATE	1	ZMC04010	SCREW (M4-0.7x7.5)	2
ES1115-0A	PLUG FILTER	1	ZMH04001	SCREW (M4-0.7x4)	1
ES1223-0A	BRACKET (FRONT)	1	ZMJ06015	SCREW (M6-1.0x25)	2
ES1225-0A	CUSHION RUBBER	2	ZMQ04011	SCREW (M4-0.7x6)	1
ES1226-0A	BRACKET (REAR)	1	ZMQ04012	SCREW (M4-0.7x12)	3
ES1903-0A	PLUG	1	ZMQ04014	SCREW (M4-0.7x10)	5
ES2220-0C	CLAMP	2	WA040014	WASHER	1
ES2317-0A	PIPE	1			
ES2319-0A	PLUG	1			
ES2341-0A	OIL LEVER GAUGE	1			
ES2401-0A	SILICONE OIL	1			
ES2402-0A	COVER	1			
ES2406-0A	THREAD GUIDE	1			
ES2409-0A	SILICONE OIL	1			
ES2410-0A	COVER	1			
ES2416-0A	NEEDLE THREAD	1			
ES2420-0A	PIN	1			
ES2426-0A	PLATE	1			
ES6005-0A	NEEDLE GUARD	1			
OBM00040	PLUG	1			

# B. MACHINE BED FRAME

Consew 693EX/694EX



A. MACHINE BED FRAME

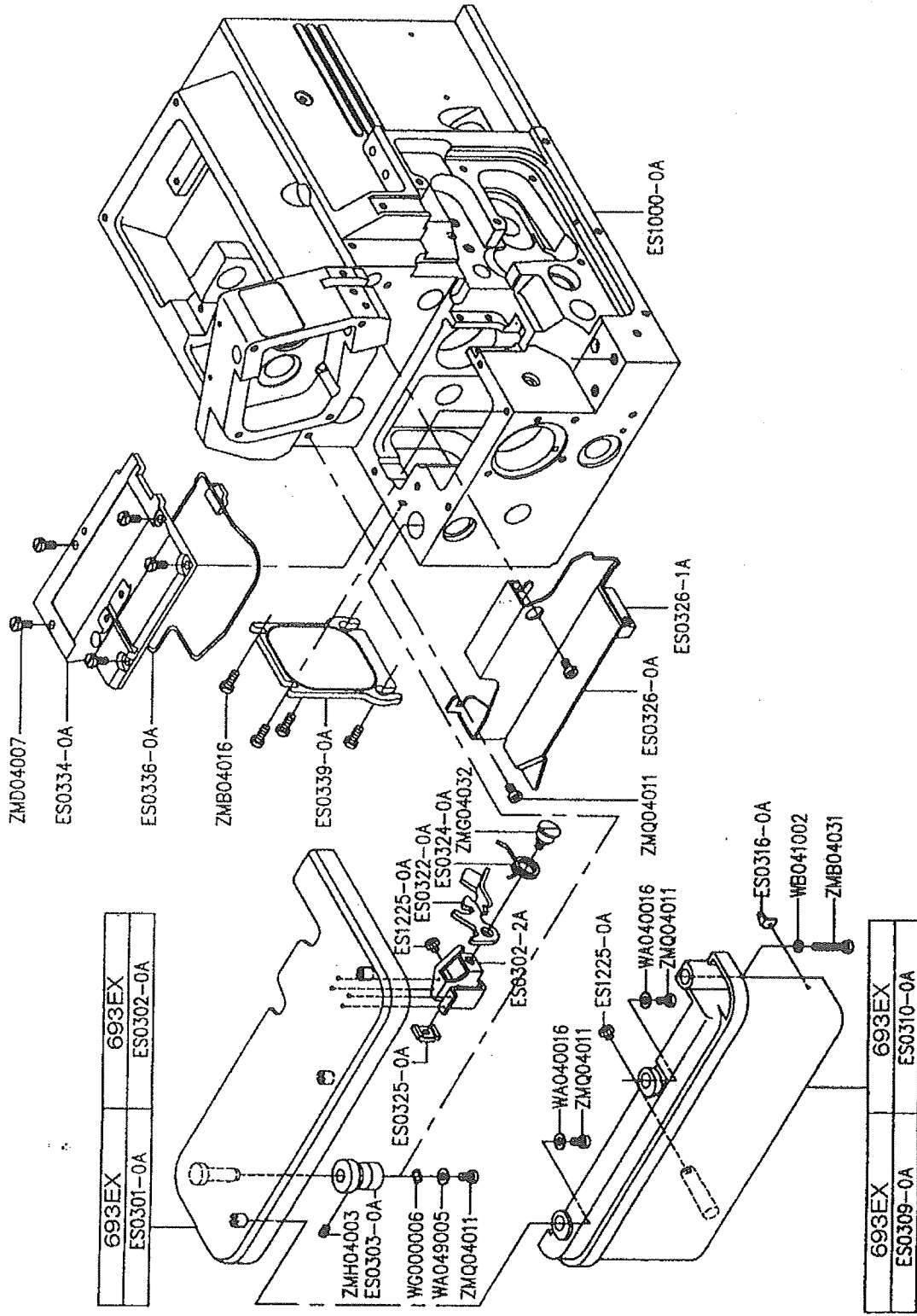
Consew 693EX/694EX

Part No	Name of Part	Q,TY
EP1361-0A	OIL SIGHT WINDOW	1
ES0201-0A	TOP COVER	1
ES0203-0A	GASKET	1
ES0206-0A	PLUG	1
ES0207-0A	SIDE COVER	1
ES0210-0A	BELT COVER	1
ES0213-0A	FAN COVER	1
ES0215-0A	FRONT COVER (RIGHT)	1
ES0216-0A	HINGE	1
ES0220-0A	SPRING	1
ES0221-0A	LATCH	1
ES0225-0A	LATCH	1
ES0227-0A	FLAT SPRING	1
ES0229-0A	FRONT COVER (LEFT)	1
ES0328-0A	EYE GUARD	1
ES0331-0A	BRACKET	1
ES1225-0A	CUSHION RUBBER	4
WA030001	WASHER	2
WG000006	WASHER	1
YA041200	PIN	1
ZMB03020	SCREW (M3-0.5x5)	1
ZMB03025	SCREW (M3-0.5x6)	2
ZMB06015	SCREW (M6-1.0x14)	3
ZMC04010	SCREW (M4-0.7x7.5)	2
ZMC04011	SCREW (M4-0.7x10)	4
ZMG04033	SCREW (M4-0.7x3.8)	1
ZMH03001	SCREW (M3-0.5x4)	1
ZMH03007	SCREW (M3-0.5x12)	1
ZMH04001	SCREW (M4-0.7x4)	2
ZMQ04006	SCREW (M4-0.7x8)	2
ZMQ04011	SCREW (M4-0.7x6)	2
ZMQ04012	SCREW (M4-0.7x12)	3
ZMQ04013	SCREW (M4-0.7x5)	2
ZMQ04010	SCREW (M4-0.7x16)	4



# C. MACHINE BED FRAME

Consew 693EX/694EX



A. MACHINE BED FRAME

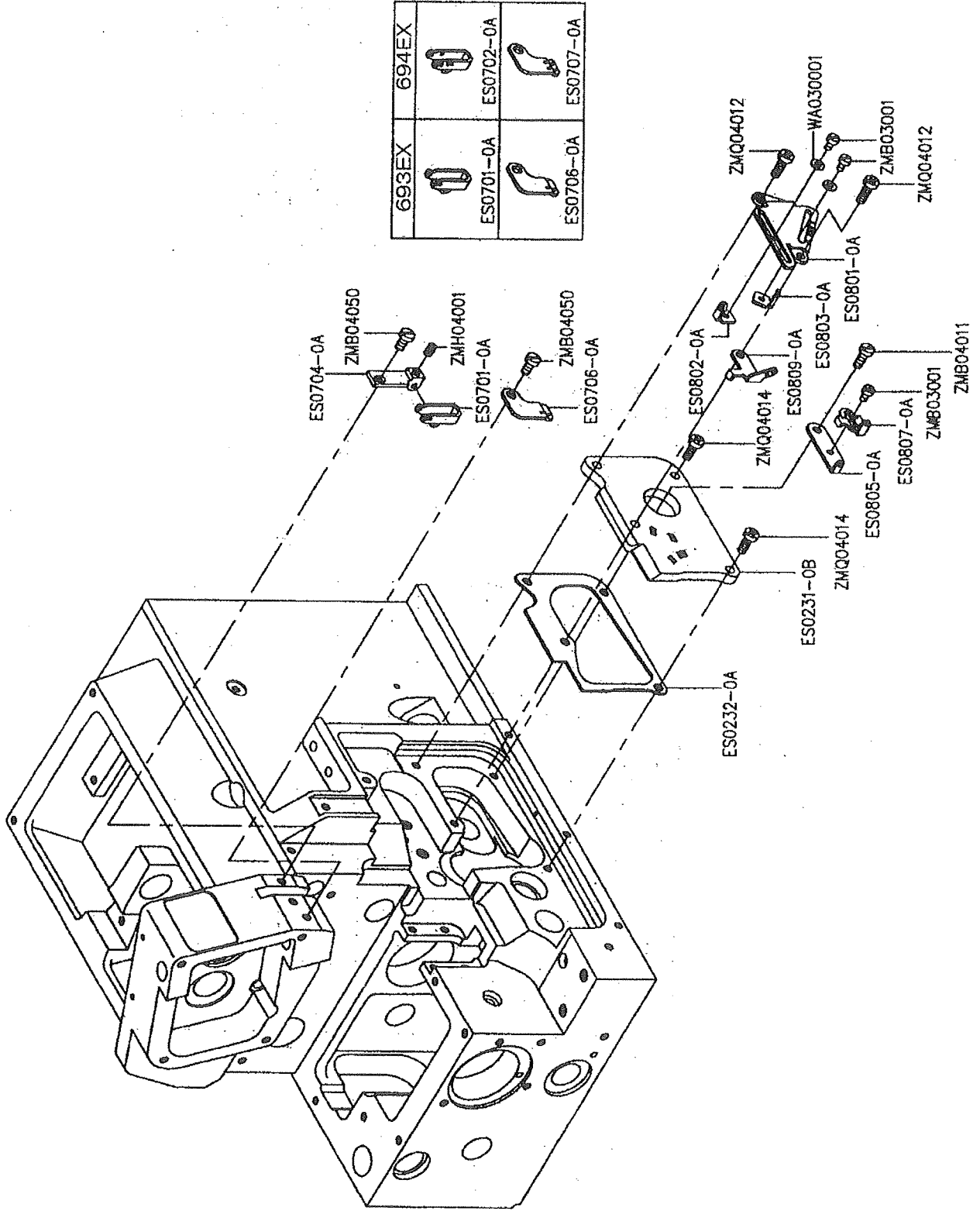
Consew 693EX/694EX





Part No	Name of Part	Q'TY	Notes
ES0301-0A	CLOTH PLATE (WIDE)	1	693EX
ES0302-0A	CLOTH PLATE (NARROW)	1	694EX
ES0302-2A	PLATE	1	
ES0303-0A	BUSHING	1	
ES0309-0A	SIDE COVER	1	693EX
ES0310-0A	SIDE COVER	1	694EX
ES0316-0A	LATCH	1	
ES0322-0A	LEVER	1	
ES0324-0A	SPRING	1	
ES0325-0A	BRACKET	1	
ES0326-0A	FABRIC GUARD	1	
ES0326-1A	SWAB	1	
ES0334-0A	BED COVER PLATE ASSEMBLY	1	
ES0336-0A	GASKET	1	
ES0339-0A	COVER PLATE	1	
ES1000-0A	MACHINE BED COMPLETE	1	
ES1225-0A	CUSHION RUBBER	2	
WA040016	WASHER	2	
WA049005	WASHER	1	
WB041002	SPRING WASHER	1	
WG000006	WASHER	1	
ZMB04016	SCREW (M4-0.7x10)	4	
ZMB04031	SCREW (M4-0.7x20)	1	
ZMD04007	SCREW (M4-0.7x8)	4	
ZMG04032	SCREW (M4-0.7x5)	1	
ZMH04003	SCREW (M4-0.7x5)	1	
ZMQ04011	SCREW (M4-0.7x6)	5	



# D. MISCELLANEOUS THREAD EYELETS

Consew 693EX/694EX

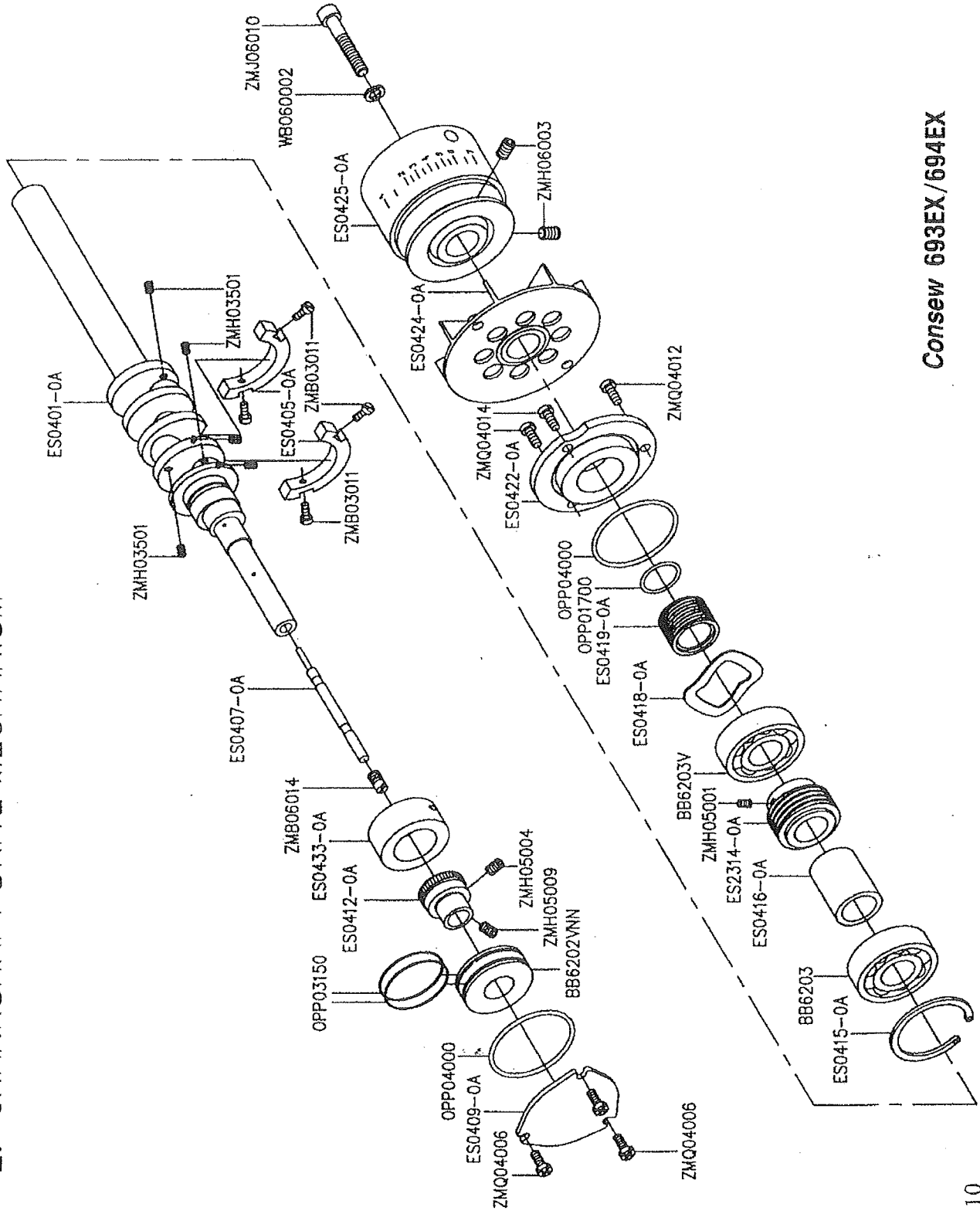


693EX	694EX
	
ES0701-0A	ES0702-0A
	
ES0706-0A	ES0707-0A

D. MISCELLANEOUS THREAD EYELETS

Part No	Name of Part	Q'TY	Notes
ES0231-0B	COVER	1	
ES0232-0A	GASKET	1	
ES0701-0A	THREAD EYELET	1	693EX
ES0702-0A	THREAD EYELET	1	694EX
ES0704-0A	BRACKET	1	
ES0706-0A	THREAD EYELET	1	693EX
ES0707-0A	THREAD EYELET	1	694EX
ES0801-0A	BRACKET	1	
ES0802-0A	THREAD GUIDE	1	
ES0803-0A	THREAD GUIDE	1	
ES0805-0A	THREAD GUIDE	1	
ES0807-0A	THREAD GUIDE	1	
ES0809-0A	THREAD GUIDE	1	
WA030001	WASHER	2	
ZMB03001	SCREW (M3-0.5x4)	3	
ZMB04011	SCREW (M4-0.7x8)	1	
ZMB04050	SCREW (M4-0.7x8)	2	
ZMH04001	SCREW (M4-0.7x4)	1	
ZMQ04012	SCREW (M4-0.7x12)	2	
ZMQ04014	SCREW (M4-0.7x10)	2	

# E. CRANKSHAFT DRIVE MECHANISM



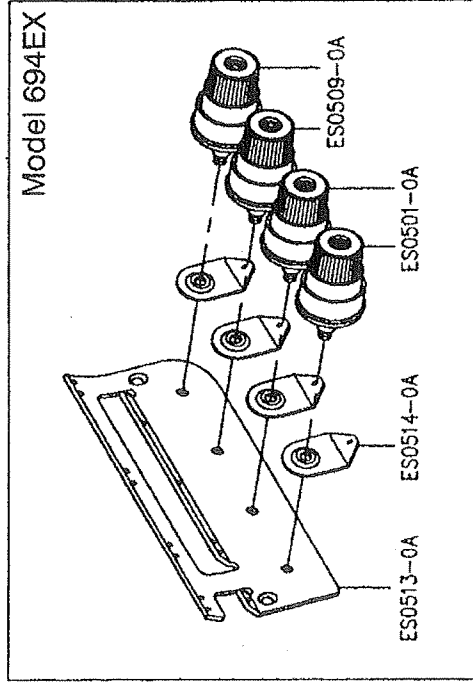
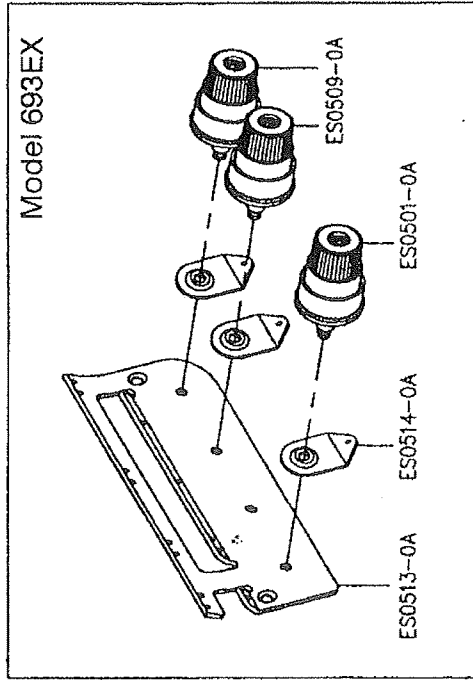
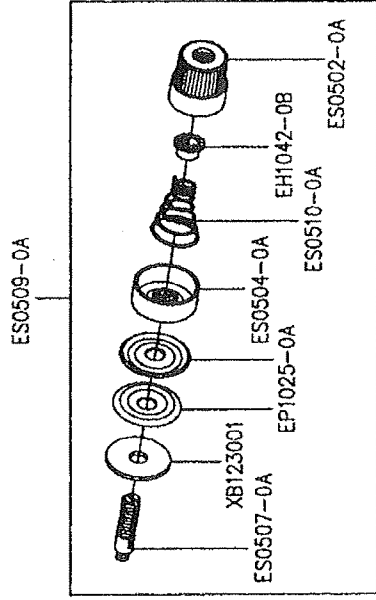
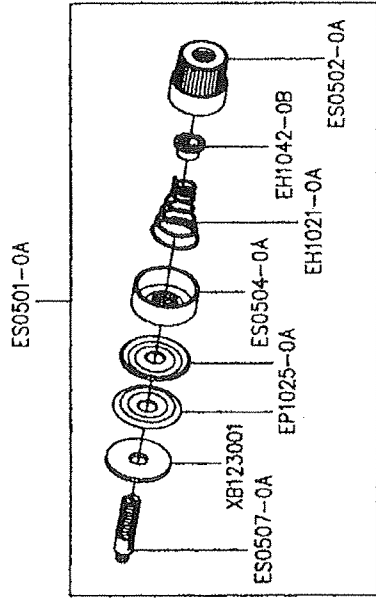
Consew 693EX/694EX

## E. CRANKSHAFT DRIVE MECHANISM

Part No	Name of Part	Q'TY
BB6202VN	BALL BEARING	1
BB6203	BALL BEARING	1
BB6203V	BALL BEARING	1
ES0401-0A	CRANKSHAFT	1
ES0405-0A	BALANCE WEIGHT	2
ES0407-0A	PIN	1
ES0409-0A	COVER	1
ES0412-0A	BALL BEARING COMPLETE	1
ES0415-0A	RING	1
ES0416-0A	RING	1
ES0418-0A	WASHER	1
ES0419-0A	OIL SEAL	1
ES0422-0A	BALL BEARING RETAINER	1
ES0424-0A	FAN COMPLETE	1
ES0425-0A	MACHINE PULLEY	1
ES0433-0A	RING	1
ES2314-0A	WORM	1
OPP01700	O RING	1
OPP03150	O RING	2
OPP04000	O RING	1
WB060002	SPRING WASHER	1
ZMB03011	SCREW (M3-0.5x8)	4
ZMB06014	SCREW (M6-1.0x6)	1
ZMH03501	SCREW (M3.5-0.6x3)	5
ZMH05001	SCREW (M5-0.8x5)	1
ZMH05004	SCREW (M5-0.8x10)	1
ZMH05009	SCREW (M5-0.8x5)	1
ZMH06003	SCREW (M5-1.0x8)	2
ZMJ06010	SCREW (M6-1.0x35)	1
ZMQ04006	SCREW (M4-0.7x8)	3
ZMQ04014	SCREW (M4-0.7x10)	3

# F. THREAD TENSION MECHANISM

## Consew 693EX/694EX



## F. THREAD TENSION MECHANISM

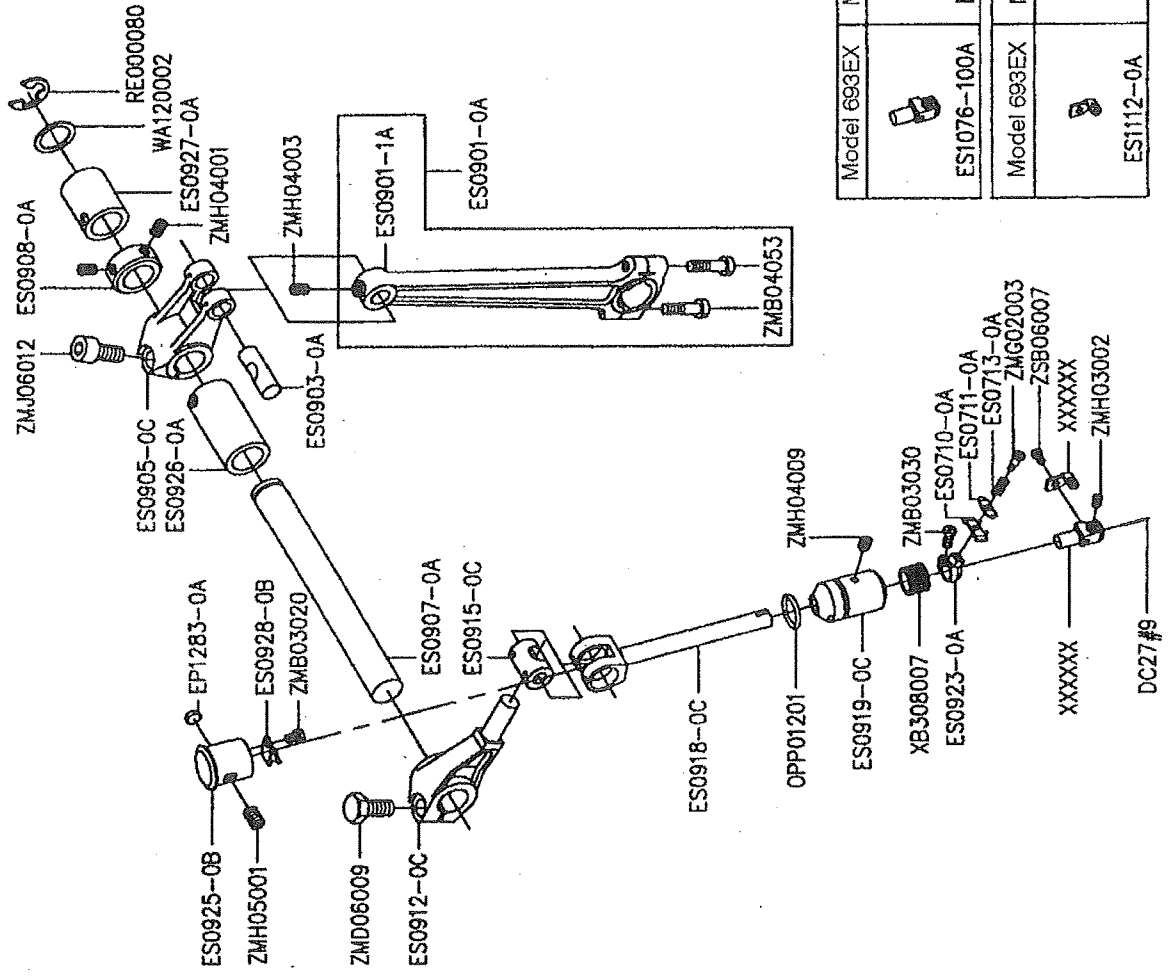
Part No	Name of Part	Q'TY
EH1021-0A	SPRING (HEAVY)	2
EP1025-0A	TENSION DISC	8
ES0501-0A	THREAD TENSION COMPLETE	2
ES0502-0A	POST NUT	4
ES0503-0A	SPRING BUSHING	4
ES0504-0A	CUP	4
ES0507-0A	SCREW STUD	4
ES0509-0A	THREAD TENSION COMPLETE	2
ES0510-0A	SPRING (MEDIUM)	2
ES0513-0A	THREAD EYELET	1
ES0514-0A	TENSION GUIDE	4
XB123001	FELT	4

Notes: Model 693EX, Model 694EX -- ES0501-0A



# G. NEEDLE DRIVE MECHANISM

## Consew 693EX/694EX



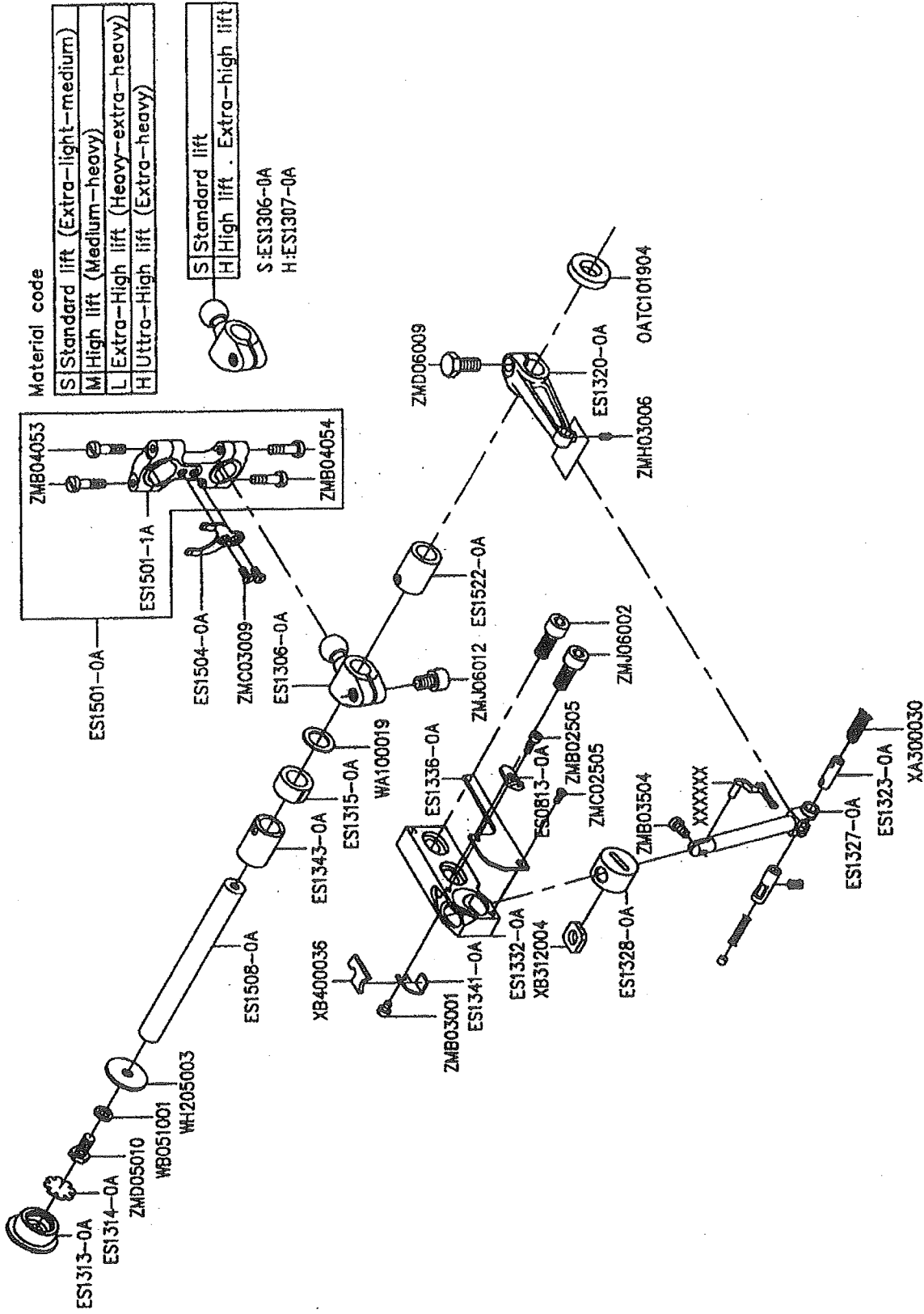
Model 693EX	Model 693EX
ES1076-100A	ES1076-220A
Model 693EX	Model 694EX
ES1112-0A	ES1117-0A

# G. NEEDLE DRIVE MECHANISM

Part No	Name of Part	Q'TY	NOTES
DC27#9	NEEDLE	2	
EP1283-0A	RUBBER SEAT	1	
ES0710-0A	BRACKET	1	
ES0711-0A	THREAD RETAINER	1	
ES0713-0A	SPRING	1	
ES0901-0A	CONNECTION	1	
ES0901-1A	CONNECTION	1	
ES0903-0A	PIN	1	
ES0905-0C	CRANK	1	
ES0907-0A	SHAFT	1	
ES0908-0A	COLLAR	1	
ES0912-0C	LEVER	1	
ES0915-0C	SHAFT	1	
ES0918-0C	NEEDLE BAR	1	
ES0919-0C	BUSHING	1	
ES0923-0A	RING	1	
ES0925-0B	PLUG	1	
ES0926-0A	BUSHING	1	
ES0927-0A	BUSHING	1	
ES0928-0B	PLATE	1	
ES1076-100A	NEEDLE HOLDER ASSEMBLY	1	693EX
ES1076-220A	NEEDLE HOLDER ASSEMBLY	1	694EX
ES1112-0A	THREAD GUIDE	1	693EX
ES1117-0A	THREAD GUIDE	1	694EX
OPP01201	O RING	1	
RE000080	E RING	1	
WA120002	WASHER	1	
XB308007	FELT	1	
ZMB03020	SCREW (M3-0.5x5)	1	
ZMB03030	SCREW (M3-0.5x5.5)	1	
ZMB04053	SCREW (M4-0.7x16)	2	
ZMD06009	SCREW (M6-1.0x12)	1	
ZMG02003	SCREW (M2-0.4x3)	1	
ZMH03002	SCREW (M3-0.5x3)	2	693EX
ZMH04001	SCREW (M4-0.7x4)	2	
ZMH04003	SCREW (M4-0.7x5)	1	
ZMH04009	SCREW (M4-0.7x5)	1	
ZMH05001	SCREW (M5-0.8x5)	1	
ZMJ06012	SCREW (M6-0.75x12)	1	
ZSB06007	SCREW (3/32-56x3)	1	

# H. UPPER LOOPER DRIVE MECHANISM

Consew 693EX/694EX

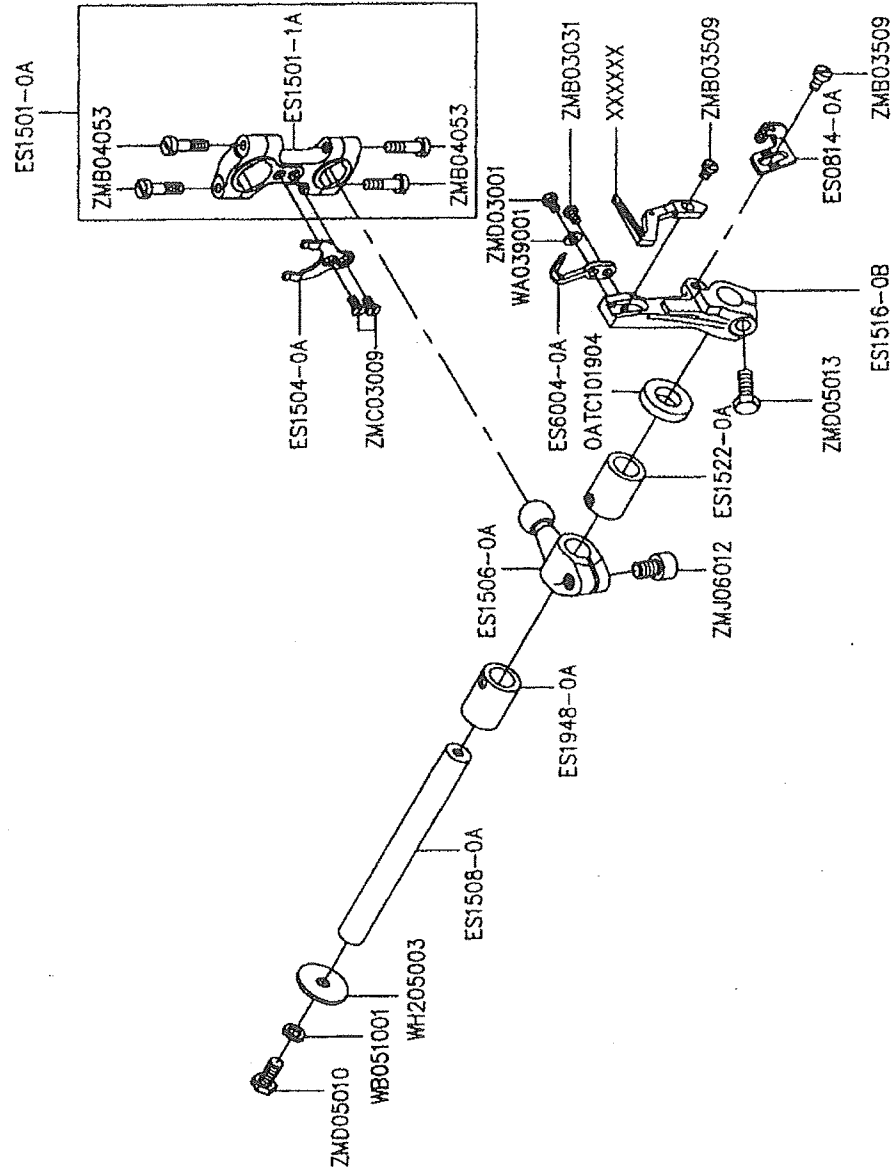


## H. UPPER LOOPER DRIVE MECHANISM

Part No	Name of Part	Q'TY
ES0813-0A	TENSION GUIDE	1
ES1306-0A	CARNK	1
ES1307-0A	CARNK	1
ES1313-0A	PLUG	1
ES1314-0A	FILTER	1
ES1315-0A	SPACER	1
ES1320-0A	LEVER	1
ES1323-0A	PIN	1
ES1327-0A	UPPER LOOPER HOLDER	1
ES1328-0A	GUIDE/UPPER LOOPER HOLDER	1
ES1332-0A	BASE/UPPER LOOPER HOLDER	1
ES1336-0A	COVER	1
ES1341-0A	PLATE	1
ES1343-0A	BUSHING	1
ES1501-0A	CONNECTION	1
ES1501-1A	CONNECTION	1
ES1504-0A	GUIDE	1
ES1508-0A	SHAFT	1
ES1522-0A	BUSHING	1
OATC101904	OIL SEAL	1
WA100019	WASHER	1
WB051001	SPRIN WASHER	1
WH205003	WASHER	1
XA300030	OIL WICK	1
XB312004	FELT	1
XB400036	FELT	1
ZMB02505	SCREW (M2.5-0.45x6)	1
ZMB03001	SCREW (M3-0.5x4)	1
ZMB03504	SCREW (M3.5-0.6x6)	1
ZMB04053	SCREW (M4-0.7x16)	2
ZMB04054	SCREW (M4-0.7x13)	2
ZMC02505	SCREW (M2.5-0.45x4)	1
ZMC03009	SCREW (M3-0.5x5)	2
ZMD05010	SCREW (M5-0.8x10)	1
ZMD06009	SCREW (M6-1.0.7x12)	1
ZMH03006	SCREW (M3-0.5x4)	1
ZMJ06002	SCREW (M6-1.0x15)	2
ZMJ06012	SCREW (M6-0.75x12)	1

# I. LOWER LOOPER DRIVE MECHANISM

Consew 693EX/694EX



## I. LOWER LOOPER DRIVE MECHANISM

Part No	Name of Part	Q'TY
ES0814-0A	--- TENSION GUIDE ---	1
ES1501-0A	--- CONNECTION ---	1
ES1501-1A	--- CONNECTION ---	1
ES1504-0A	--- GUIDE ---	1
ES1506-0A	--- CRANK ---	1
ES1508-0A	--- SHAFT ---	1
ES1516-0B	--- SHAFT ---	1
ES1522-0A	--- BUSHING ---	1
ES1948-0A	--- BUSHING ---	1
ES6004-0A	--- NEEDLE GUARD (REAR) ---	1
OATC10190	--- OIL SEAL ---	1
WA039001	--- WASHER ---	1
WB051001	--- SPRING WASHER ---	1
WH205003	--- WASHER ---	1
ZMB03031	--- SCREW (M3-0.5x2.5) ---	1
ZMB03509	--- SCREW (M3.5-0.6x6) ---	2
ZMB04053	--- SCREW (M4-0.7x16) ---	4
ZMC03009	--- SCREW (M3-0.5x5) ---	2
ZMD03001	--- SCREW (M3-0.5x5) ---	1
ZMD05010	--- SCREW (M5-0.8x10) ---	1
ZMD05013	--- SCREW (M5-0.8x13) ---	1
ZMJ06012	--- SCREW (M6-0.75x12) ---	1



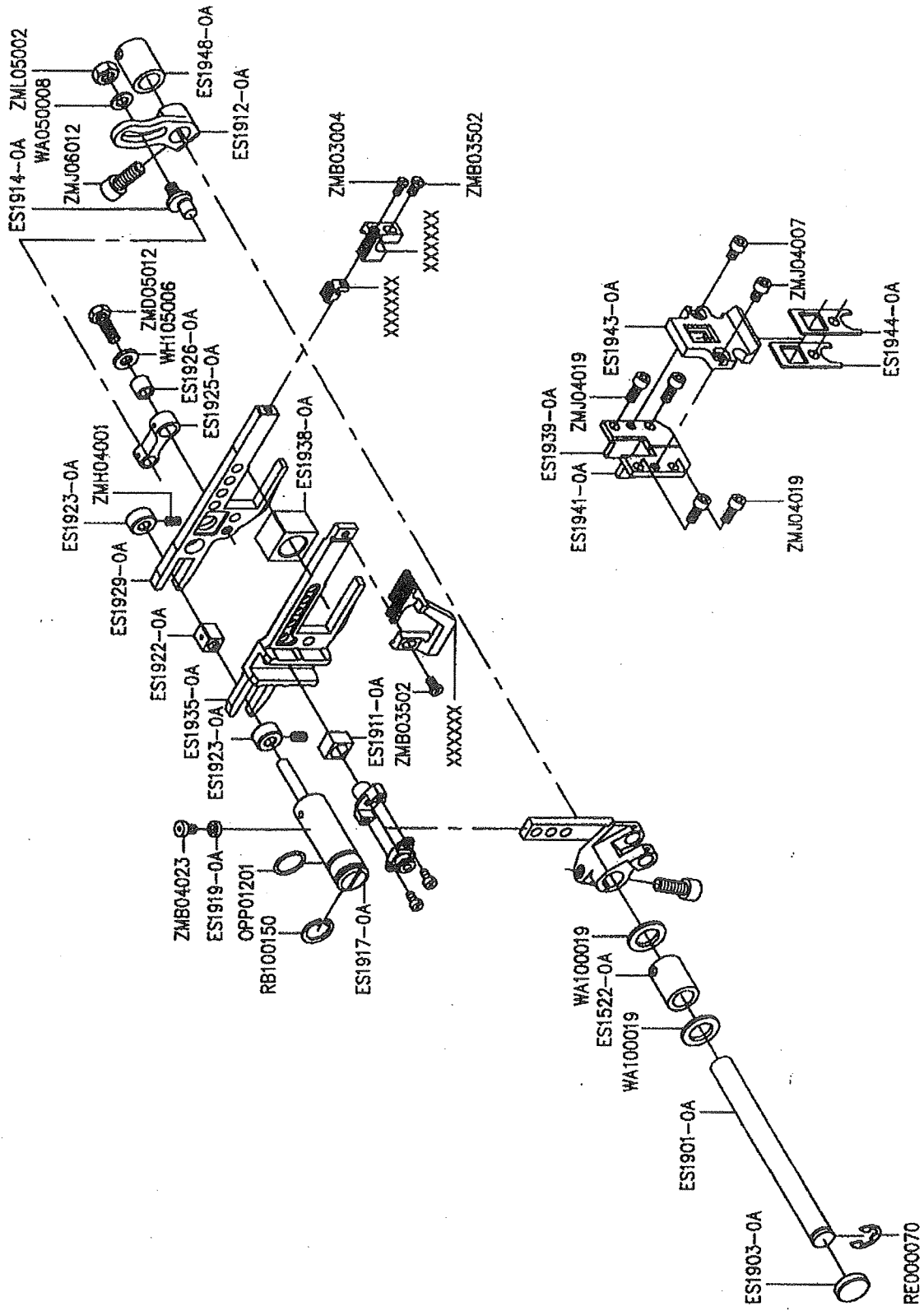


J. FEED MECHANISM

	Name of Part	Q'TY	Part No	Name of Part	Q'TY
BN222610	NEEDLE BEARING	1	OPP00600	O RING	1
ES0903-0A	PIN	1	RE000030	E RING	1
ES1801-0A	CONNECTION	1	RE000060	E RING	1
ES1805-0A	ECCENTRIC	1	WA040013	WASHER	2
ES1806-0A	GUIDE/FEED ECCENTRIC	1	WA059006	WASHER	1
ES1807-0A	FLAT SPRING	1	WC060004	SPRING WASHER	1
ES1810-0A	REGULATOR	1	ZMB03004	SCREW (M3-0.5x5.7)	2
ES1812-0A	ECCENTRIC ASSEMBLY	1	ZMG02004	SCREW (M2-0.4x3)	1
ES1813-0A	SPRING	1	ZMG05016	SCREW (M5-0.8x8.4)	1
ES1815-0A	RATCHET	1	ZMG05017	SCREW (M5-0.8x5.5)	1
ES1816-0A	PUSH BUTTON	1	ZMH03001	SCREW (M3-0.5x4)	2
ES1817-0A	GASKET	1	ZMH04005	SCREW (M4-0.7x6)	1
ES1819-0A	SPRING	1	ZMH05009	SCREW (M5-0.8x5)	2
ES1821-0A	LINK	1	ZMJ06012	SCREW (M6-0.75x12)	2
ES1824-0A	LEVER	1	ZMK06018	SCREW (M6-1.0x17.7)	1
ES1826-0A	LEVER	1	ZMQ04011	SCREW (M4-0.7x6)	2
ES1828-0A	SHAFT	1	ZMQ04012	SCREW (M4-0.7x12)	2
ES1830-0A	SPRING	1			
ES1831-0A	REGULATOR PLATE	1			
ES1833-0A	SPACER	2			
ES1834-0A	NUT	1			
ES1837-0A	STOPPER	1			
ES1840-0A	ADJUSTING BAR	2			
ES1841-0A	SEAL	1			
ES1843-0A	SPRING	1			
ES1844-0A	PIN	1			
ES1845-0A	BUSHING	1			
ES1906-0A	CRANK	1			
ES1908-0A	CRANK PIN	1			
ES1909-0A	CRANK PIN	1			
OPP00400	O RING	1			

# K. FEED MECHANISM

## Consew 693EX/694EX

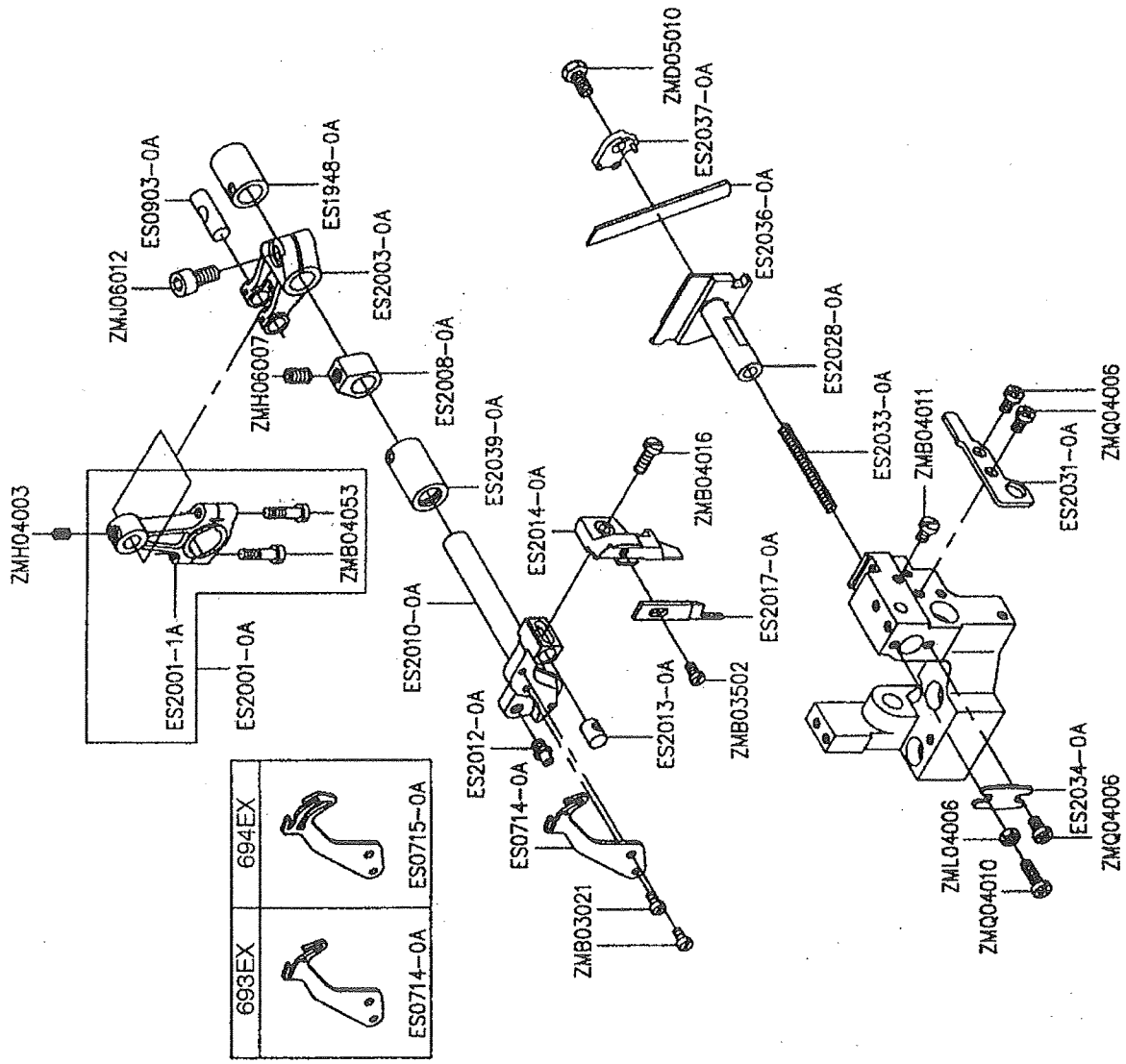


## K. FEED MECHANISM

Part No	Name of Part	Q'TY
ES1522-0A	BUSHING	1
ES1901-0A	SHAFT	1
ES1903-0A	PLUG	1
ES1911-0A	BLOCK	1
ES1912-0A	CRANK	1
ES1914-0A	PIN	1
ES1917-0A	PIN	1
ES1919-0A	GASKET	1
ES1922-0A	BLOCK	1
ES1923-0A	COLLAR	2
ES1925-0A	LINK	1
ES1926-0A	BUSHING	1
ES1929-0A	MAIN FEED BAR	1
ES1935-0A	DIFFERENTIAL FEED BAR	1
ES1938-0A	BLOCK	1
ES1939-0A	GUIDE/FEED BAR	1
ES1941-0A	GUIDE(LEFE)/FEED BAR	1
ES1943-0A	GUIDE/FEED BAR OIL SEAL	1
ES1944-0A	OIL SEAL	2
ES1948-0A	BUSHING	1
OPP01201	O RING	1
RB100150	C RING	1
RE000070	E RING	1
WA050008	WASHER	1
WA100019	WASHER	2
WH105006	WASHER	1
ZMB03004	SCREW (M3-0.5x5.7)	1
ZMB03502	SCREW (M3.5-0.6x8)	2
ZMB04023	SCREW (M4-0.7x6)	1
ZMD05012	SCREW (M5-0.8x13)	1
ZMH04001	SCREW (M4-0.7x4)	2
ZMJ04007	SCREW (M4-0.7x5)	2
ZMJ04019	SCREW (M4-0.7x8)	4
ZMJ06012	SCREW (M6-0.75x12)	1
ZML05002	NUT (M5)	1

# L. KNIFE DRIVE MECHANISM

Consew 693EX/694EX



# L. KNIFE DRIVE MECHANISM

Part No	Name of Part	Q'TY	Notes
ES0714-0A	THREAD TAKEUP	1	693EX
ES0715-0A	THREAD TAKEUP	1	694EX
ES0903-0A	PIN	1	
ES1948-0A	BUSHING	1	
ES2001-0A	CONNECTION	1	
ES2001-1A	CONNECTION	1	
ES2003-0A	CRANK	1	
ES2008-0A	COLLAR	1	
ES2010-0A	UPPER KNIFE LEVER	1	
ES2012-0A	SCREW	1	
ES2013-0A	PIN	1	
ES2014-0A	UPPER KNIFE CLAMP	1	
ES2017-0A	UPPER KNIFE	1	
ES2028-0A	LOWER KNIFE HOLDER	1	
ES2031-0A	GUIDE/LOWER KNIFE HOLDER	1	
ES2033-0A	SPRING	1	
ES2034-0A	PLATE	1	
ES2036-0A	LOWER KNIFE/THICK	1	
ES2037-0A	LOWER KNIFE CLAMP	1	
ES2039-0A	BUSHING	1	
ZMB03021	SCREW (M3-0.5x6.5)	2	
ZMB03502	SCREW (M3.5-0.6x8)	1	
ZMB04011	SCREW (M4-0.7x8)	1	
ZMB04016	SCREW (M4-0.7x10)	1	
ZMB04053	SCREW (M4-0.7x16)	2	
ZMD05010	SCREW (M5-0.8x10)	1	
ZMH04003	SCREW (M4-0.7x5)	1	
ZMH06007	SCREW (M6-1.0x5)	1	
ZMJ06012	SCREW (M6-0.75x12)	1	
ZML04006	NUT (M4)	1	
ZMQ04006	SCREW (M4-0.7x8)	3	
ZMO04010	SCREW (M4-0.7x16)	1	



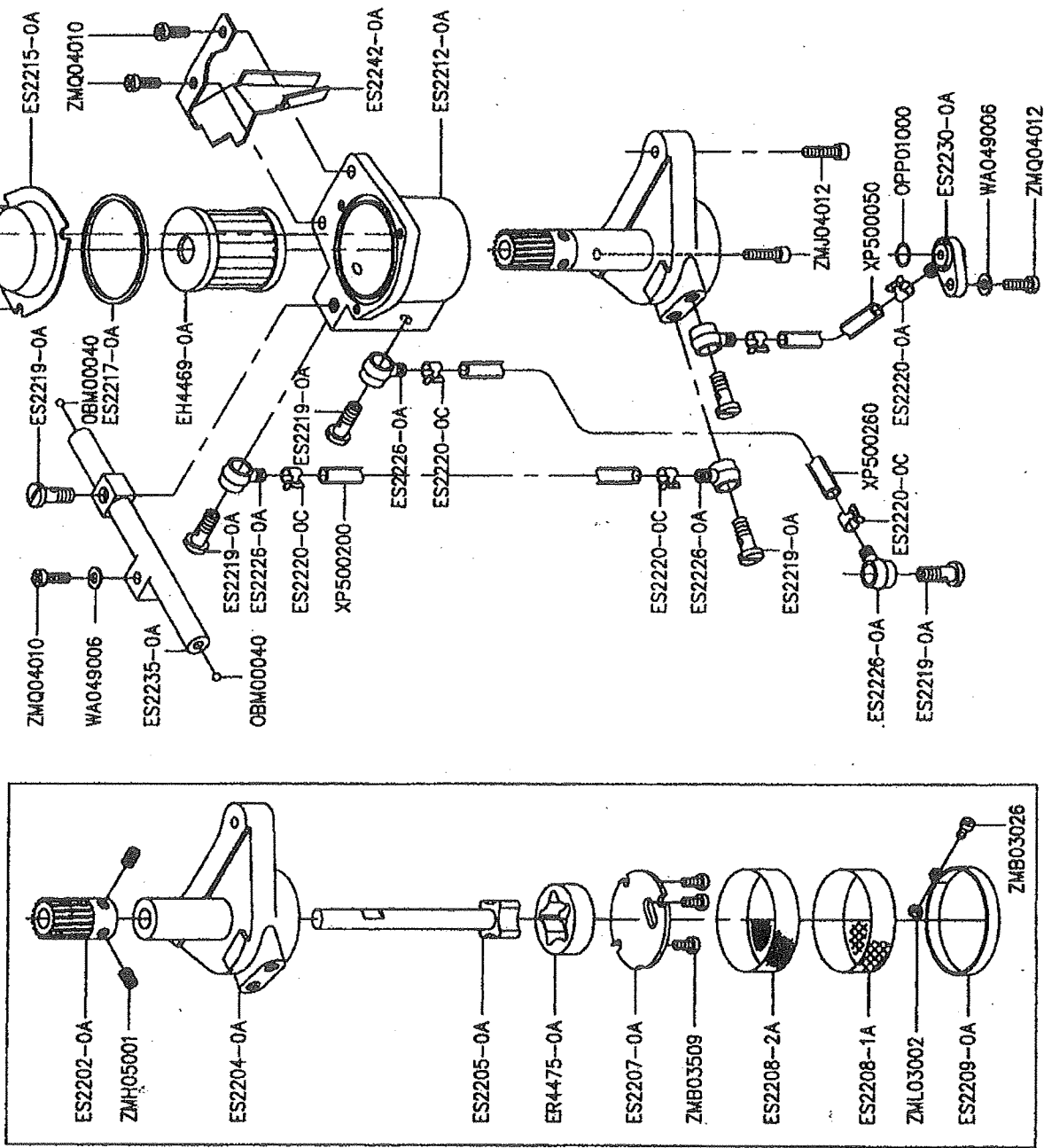


M. PRESSER FOOT MECHANISM

Part No	Name of Part	Q'TY	Part No	Name of Part	Q'TY
ES2101-0A	LEVER	1	ZMG04034	SCREW (M4-0.7x4)	1
ES2103-0A	SPRING	1	ZMG10001	SCREW (M10-1.5x9)	1
ES2104-0A	STOPPER	1	ZMH04001	SCREW (M4-0.7x4)	1
ES2108-0A	LINK	1	ZMH06003	SCREW (M6-1.0x8)	1
ES2109-0A	LEVER	1	ZMJ06013	SCREW (M6-0.75x14)	1
ES2110-0A	COLLAR	1	ZML05002	NUT (M5)	1
ES2112-0A	SPRING	1	ZMO04014	SCREW (M4-0.7x10)	2
ES2113-0A	BUSHING	1	ZSB06004	SCREW (3/32-56x2.2)	1
ES2115-0A	SHAFT	1	ZSB06017	SCREW (3/32-56x4)	1
ES2116-0A	PRESSER ARM	1	ZSB08010	SCREW (1/8-44x6)	1
ES2117-0A	PIN	1			
ES2121-0A	HOLDER	1			
ES2123-0A	FINGER GUARD	1			
ES2124-0A	STOOPER	1			
ES2127-0A	FLAT SPRING	1			
ES2129-0A	PRESSER BAR	1			
ES2130-0A	SPRING	1			
ES2131-0A	ADJUSTING SCREW	1			
ES2132-0A	NUT	1			
ES2133-0A	LEVER	1			
ES2135-0A	SPRING	1			
ES2136-0A	STOPPER	1			
ES2803-0A	FABRIC GUARD	1			
ES3711-0A	UNCURLER	1			
ET1219-0A	CHAIN CUTTER	1			
ZMB03005	SCREW (M3-0.5x4)	1			
ZMB03020	SCREW (M3-0.5x5)	2			
ZMB03502	SCREW (M3.5-0.6x8)	1			
ZMB04050	SCREW (M4-0.7x8)	1			
ZMB05007	SCREW (M5-0.8x25)	1			

# N. LUBRICATION MECHANISM

## Consew 693EX/694EX

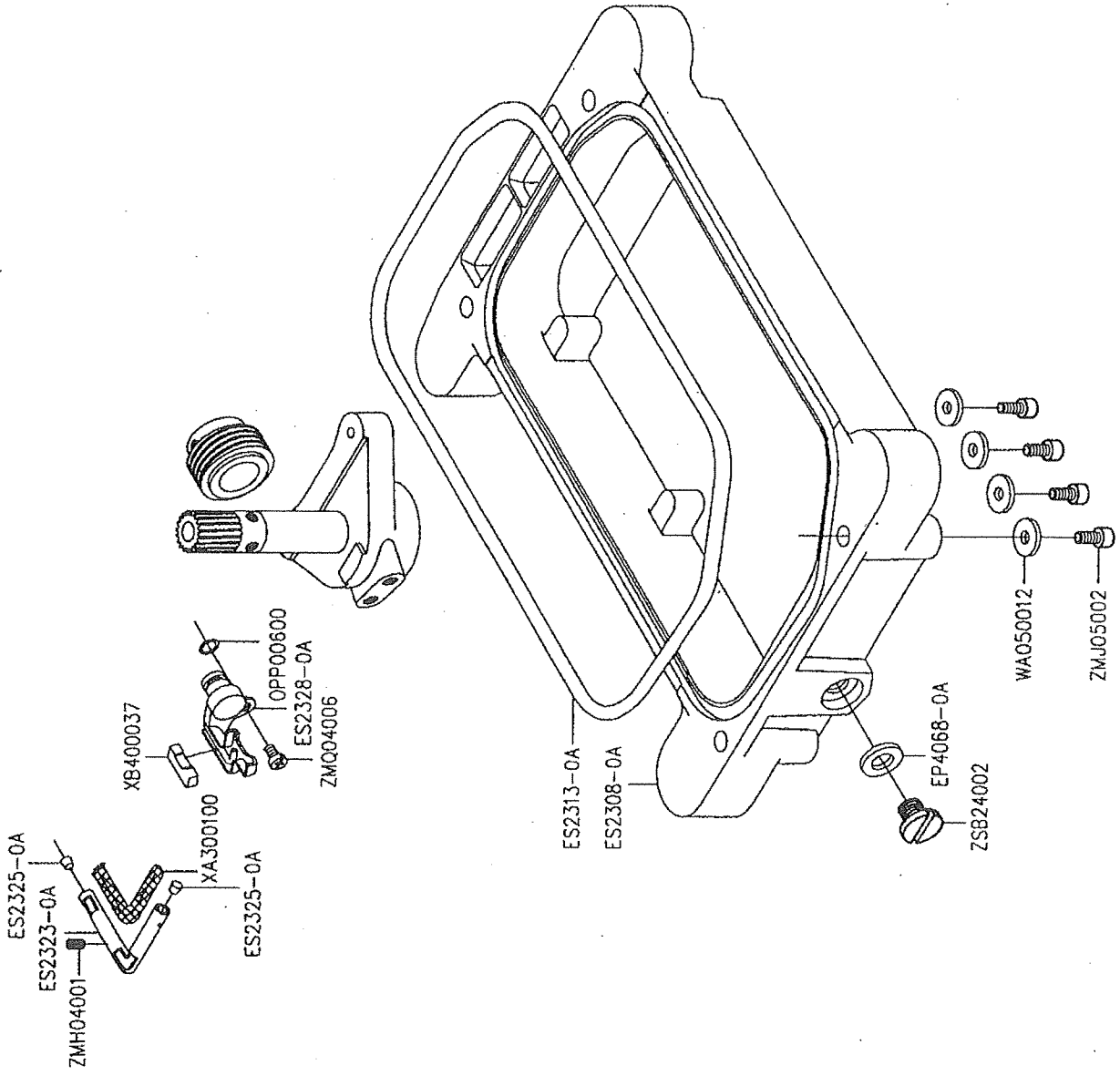


## N. LUBRICATION MECHANISM

Part No	Name of Part	Q'TY
EH4469-0A	OIL FILTER	1
ER4475-0A	ROTOR (OUTSIDE)	1
ES2202-0A	WORM WHEEL	1
ES2204-0A	PUMP BODY	1
ES2205-0A	ROTOR (INSIDE) SHAFT	1
ES2207-0A	CASING PLATE	1
ES2208-1A	FILTER	1
ES2208-2A	FILTER	1
ES2209-0A	GUIDE	1
ES2212-0A	TANK	1
ES2215-0A	COVER	1
ES2217-0A	O RING	1
ES2219-0A	SCREW	6
ES2220-0C	CLAMP	6
ES2226-0A	JOINT	1
ES2230-0A	JOINT	1
ES2235-0A	OIL DISTRIBUTOR	1
ES2242-0A	PLATE	1
OBM00040	PLUG	2
OPF01000	O RING	1
WA049006	WASHER	1
XP500050	TUBE	1
XP500200	TUBE	1
XP500260	TUBE	1
ZMB03026	SCREW (M3-0.5x8)	1
ZMB03509	SCREW (M3.5-0.6x6)	3
ZMH05001	SCREW (M5-0.8x5)	2
ZMJ04012	SCREW (M4-0.7x16)	2
ZML03002	NUT (M3)	1
ZMQ04010	SCREW (M4-0.7x16)	3
ZMQ04011	SCREW (M4-0.7x6)	3
ZMQ04012	SCREW (M4-0.7x12)	1

# O. LUBRICATION MECHANISM

Consew 693EX/694EX



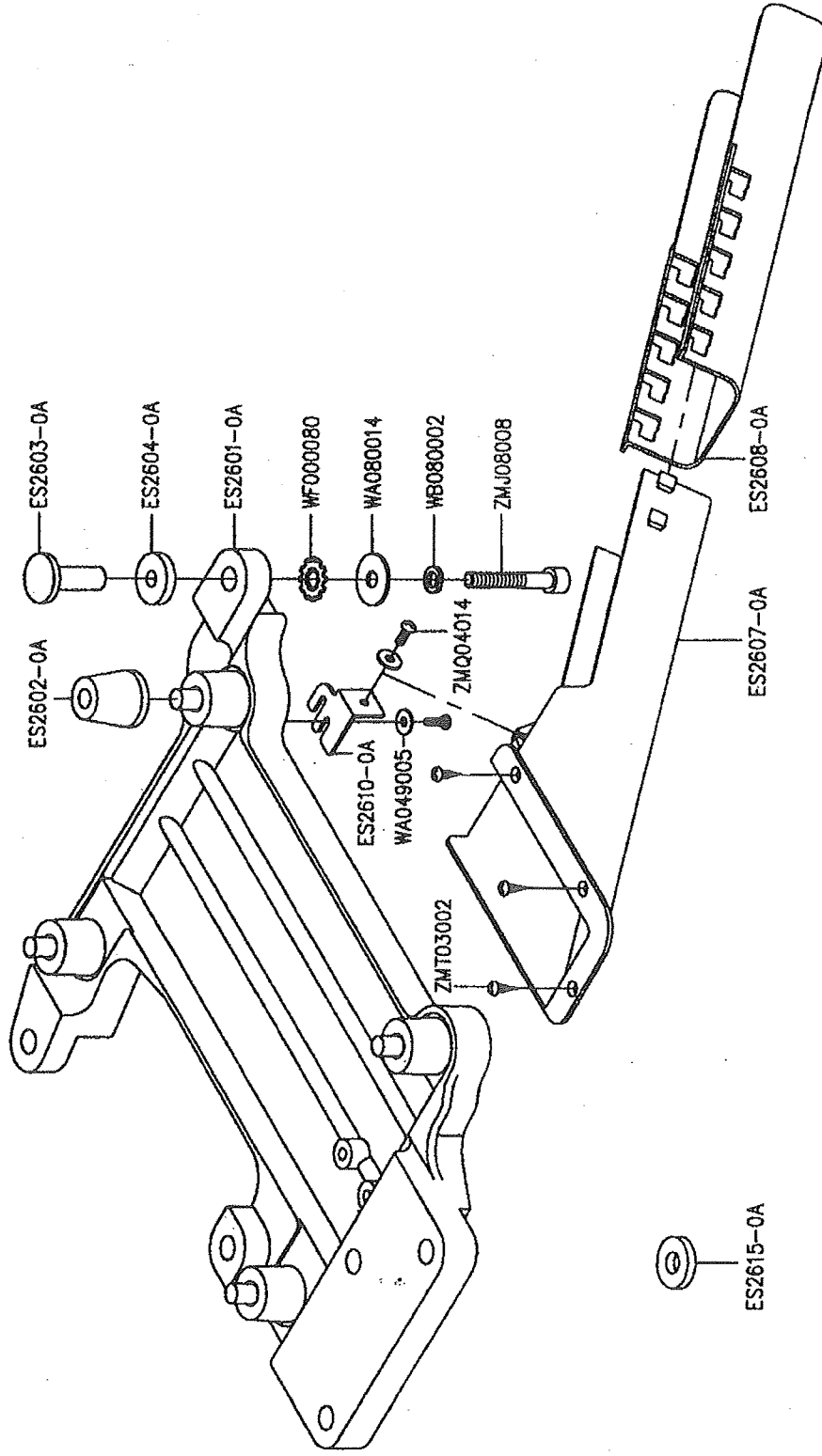
## O. LUBRICATION MECHANISM

Part No	Name of Part	Q'TY
EP4068-0A	DRAIN HOLE SEAL	1
ES2308-0A	OIL RESERVOIR	1
ES2313-0A	GASKET	1
ES2323-0A	PIPE	1
ES2325-0A	PLUG	2
ES2328-0A	JOINT	1
OPP00600	O RING	1
WA050012	WASHER	4
XA300100	OIL WICK	1
XB400037	FELT	1
ZMH04001	SCREW (M4-0.7x4)	1
ZMI05002	SCREW (M5-0.8x12)	4
ZMQ04006	SCREW (M4-0.7x8)	1
ZSB24002	SCREW (3/8-24x8)	1



# P. PARTS FOR SEMI-SUBMERGED INSTALLATION

Consew 693EX/694EX

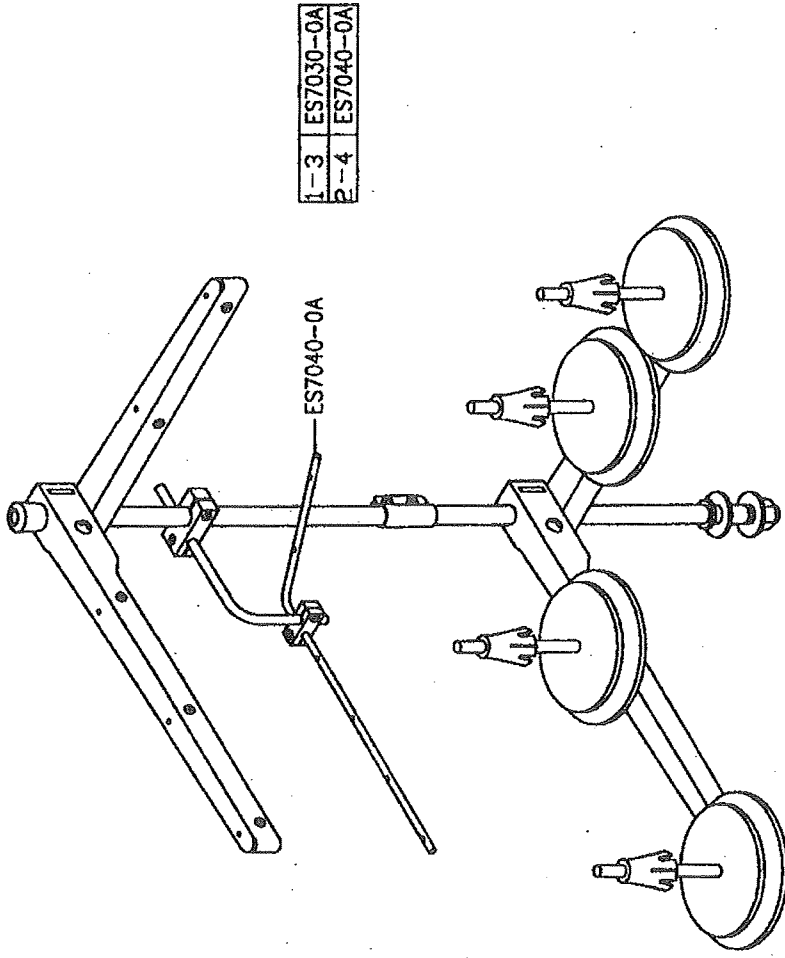


P. PARTS FOR SEMI - SUBMERGED INSTALLATION

Part No	Name of Part	Q'TY
ES2601-0A	REST BOARD	1
ES2602-0A	CUSHION RUBBER	4
ES2603-0A	NUT	4
ES2604-0A	SPACER	4
ES2607-0A	WASTE CHUTE	1
ES2608-0A	WASTE CHUTE	1
ES2610-0A	BRACKET	1
ES2615-0A	SPACER	4
WA049005	WASHER	2
WA080014	WASHER	4
WB080002	SPRING WASHER	4
WF000080	WASHER	4
ZMJ08008	SCREW (M8-1.25x45)	4
ZMQ04014	SCREW (M4-0.7x10)	2
ZMT03002	SCREW (M3)	3

# Q. ACCESSORIES

Consew 693EX/694EX



Q. ACCESSORIES

Part No	Name of Part	Q'TY	Notes
ES7030-0A	THREAD STAND, COMPLETE SET	1	1 - 3
ES7040-0A	THREAD STAND, COMPLETE SET	1	2 - 4

R. NUMERICAL PARTS-LIST

PARTS NO.	PAGE	PARTS NO.	PAGE	PARTS NO.	PAGE	PARTS NO.	PAGE	PARTS NO.	PAGE	PARTS NO.	PAGE
AI019-0A	2	ES0216-0A	4	ES0407-0A	10	ES0713-0A	14	ES1076-100A	14		
BB6202VNN	10	ES0220-0A	4	ES0409-0A	10	ES0714-0A	24	ES1076-220A	14		
BB6203	10	ES0221-0A	4	ES0412-0A	10	ES0715-0A	24	ES1112-0A	14		
BB6203V	10	ES0225-0A	4	ES0415-0A	10	ES0801-0A	8	ES1117-0A	14		
BN222610	20	ES0227-0A	4	ES0416-0A	10	ES0802-0A	8	ES1223-0A	2		
DC27#9	14	ES0229-0A	4	ES0418-0A	10	ES0803-0A	8	ES1225-0A	2,4,6		
EH1021-0A	12	ES0231-0A	8	ES0419-0A	10	ES0805-0A	8	ES1226-0A	2		
EH4469-0A	28	ES0301-0A	6	ES0422-0A	10	ES0807-0A	8	ES1306-0A	16		
ES1015-0A	2	ES0302-0A	6	ES0424-0A	10	ES0809-0A	8	ES1307-0A	16		
ES1018-0A	2	ES0302-2A	6	ES0425-0A	10	ES0813-0A	16	ES1313-0A	16		
EP1025-0A	12	ES0303-0A	6	ES0433-0A	10	ES0814-0A	18	ES1314-0A	16		
EP1283-0A	14	ES0309-0A	6	ES0435-0A	10	ES0901-0A	14	ES1315-0A	16		
EP1361-0A	4	ES0310-0A	6	ES0501-0A	12	ES0901-1A	14	ES1320-0A	16		
EP4068-0A	30	ES0316-0A	6	ES0502-0A	12	ES0903-0A	14,20,24	ES1323-0A	16		
ER4475-0A	28	ES0318-0A	2	ES0503-0A	12	ES0905-0C	14	ES1327-0A	16		
ES0108-0A	2	ES0320-0A	2	ES0504-0A	12	ES0907-0A	14	ES1328-0A	16		
ES0109-0A	2	ES0322-0A	6	ES0507-0A	12	ES0908-0A	14	ES1332-0A	16		
ES0111-0A	2	ES0324-0A	6	ES0509-0A	12	ES0912-0C	14	ES1336-0A	16		
ES0113-0A	2	ES0325-0A	6	ES0510-0A	12	ES0915-0C	14	ES1341-0A	16		
ES0116-0A	2	ES0326-0A	6	ES0513-0A	12	ES0918-0C	14	ES1343-0A	16		
ES0117-0A	2	ES0326-1A	6	ES0514-0A	12	ES0919-0C	14	ES1501-0A	16,18		
ES0201-0A	4	ES0328-0A	4	ES0701-0A	8	ES0923-0A	14	ES1501-1A	16,18		
ES0203-0A	4	ES0331-0A	4	ES0702-0A	8	ES0925-0B	14	ES1504-0A	16,18		
ES0206-0A	4	ES0334-0A	6	ES0704-0A	8	ES0926-0A	14	ES1506-0A	18		
ES0207-0A	4	ES0336-0A	6	ES0706-0A	8	ES0927-0A	14	ES1508-0A	16,18		
ES0210-0A	4	ES0339-0A	6	ES0707-0A	8	ES0928-0B	14	ES1516-0B	18		
ES0213-0A	4	ES0401-0A	10	ES0710-0A	14	ES1000-0A	6	ES1522-0A	16,18,22		
ES0215-0A	4	ES0405-0A	10	ES0711-0A	14	ES1016-01B	2	ES1801-0A	20		

R. NUMERICAL PARTS-LIST

PARTS NO.	PAGE	PARTS NO.	PAGE	PARTS NO.	PAGE	PARTS NO.	PAGE	PARTS NO.	PAGE	PARTS NO.	PAGE
ES1805-0A	20	ES1909-0A	20	ES2031-0A	24	ES2202-0A	28	ES2409-0A	2		
ES1806-0A	20	ES1911-0A	22	ES2033-0A	24	ES2204-0A	28	ES2410-0A	2		
ES1807-0A	20	ES1912-0A	22	ES2034-0A	24	ES2205-0A	28	ES2416-0A	2		
ES1810-0A	20	ES1914-0A	22	ES2036-0A	24	ES2207-0A	28	ES2420-0A	2		
ES1812-0A	20	ES1917-0A	22	ES2037-0A	24	ES2208-1A	28	ES2426-0A	2		
ES1813-0A	20	ES1919-0A	22	ES2039-0A	24	ES2208-2A	28	ES2601-0A	32		
ES1815-0A	20	ES1922-0A	22	ES2101-0A	26	ES2209-0A	28	ES2602-0A	32		
ES1816-0A	20	ES1923-0A	22	ES2103-0A	26	ES2212-0A	28	ES2603-0A	32		
ES1817-0A	20	ES1925-0A	22	ES2104-0A	26	ES2215-0A	28	ES2604-0A	32		
ES1819-0A	20	ES1926-0A	22	ES2108-0A	26	ES2217-0A	28	ES2607-0A	32		
ES1821-0A	20	ES1929-0A	22	ES2109-0A	26	ES2219-0A	28	ES2608-0A	32		
ES1824-0A	20	ES1935-0A	22	ES2110-0A	26	ES2220-0C	2,28	ES2610-0A	32		
ES1826-0A	20	ES1938-0A	22	ES2112-0A	26	ES2226-0A	28	ES2615-0A	32		
ES1828-0A	20	ES1939-0A	22	ES2113-0A	26	ES2230-0A	28	ES2803-0A	26		
ES1830-0A	20	ES1941-0A	22	ES2115-0A	26	ES2235-0A	28	ES3711-0A	26		
ES1831-0A	20	ES1943-0A	22	ES2116-0A	26	ES2242-0A	28	ES6004-0A	18		
ES1833-0A	20	ES1944-0A	20	ES2117-0A	26	ES2308-0A	30	ES6005-0A	2		
ES1834-0A	20	ES1948-0A	18,22,24	ES2121-0A	26	ES2313-0A	30	ES7030-0A	34		
ES1837-0A	20	ES2001-0A	24	ES2123-0A	26	ES2314-0A	10	ES7040-0A	34		
ES1840-0A	20	ES2001-1A	24	ES2124-0A	26	ES2317-0A	2	ET1219-0A	26		
ES1841-0A	20	ES2003-0A	24	ES2127-0A	26	ES2319-0A	2	OATCI01904	16,18		
ES1843-0A	20	ES2008-0A	24	ES2129-0A	26	ES2323-0A	30	OBM00040	2,28		
ES1844-0A	20	ES2010-0A	24	ES2130-0A	26	ES2325-0A	30	OPP00400	20		
ES1845-0A	20	ES2012-0A	24	ES2131-0A	26	ES2328-0A	30	OPP00600	20,30		
ES1901-0A	22	ES2013-0A	24	ES2132-0A	26	ES2341-0A	2	OPP01000	28		
ES1903-0A	2,22	ES2014-0A	24	ES2133-0A	26	ES2401-0A	2	OPP01201	14,22		
ES1906-0A	20	ES2017-0A	24	ES2135-0A	26	ES2402-0A	2	OPP01700	10		
ES1908-0A	20	ES2028-0A	24	ES2136-0A	26	ES2406-0A	2	OPP03150	10		

R. NUMERICAL PARTS-LIST

PARTS NO.	PAGE	PARTS NO.	PAGE	PARTS NO.	PAGE	PARTS NO.	PAGE	PARTS NO.	PAGE	PARTS NO.	PAGE
OPP04000	10	XA300015	2	ZMB03026	28	ZMD05012	22	ZMJ04019	22		
RB100150	22	XA300030	16	ZMB03030	14	ZMD05013	18	ZMJ05002	30		
RE000030	20	XA300100	30	ZMB03031	18	ZMD06009	14, 16	ZMJ06002	16		
RE000060	20	XA300120	2	ZMB03502	22, 24, 26	ZMG02003	14	ZMJ06010	10		
RE000070	22	XB123001	12	ZMB03504	16	ZMG02004	20	ZMJ06012	14, 16, 18, 20, 22, 24		
RE000080	14	XB308007	14			ZMG04032	6				
WA030001	4, 8	XB312004	16	ZMB03507	2	ZMG04033	4	ZMJ06013	26		
WA039001	18	XB400036	16	ZMB03509	18, 28	ZMG04034	26	ZMJ06015	2		
WA040013	20	XB400037	30			ZMG05016	20	ZMJ08008	32		
WA040014	2	XB400038	2	ZMB04011	8, 24	ZMG05017	20	ZMK06018	20		
WA040016	6	XB400040	2	ZMB04016	6, 24	ZMG10001	26	ZML03002	28		
WA049005	6, 32	XP400037	2	ZMB04023	22	ZMH03001	4, 20	ZML04006	24		
WA049006	28	XP500050	28	ZMB04031	6	ZMH03002	14	ZML05002	22, 26		
WA050008	22	XP500200	28	ZMB04050	8, 26	ZMH03006	16	ZMQ04006	4, 10, 24, 30		
WA050012	30	XF500260	28	ZMB04053	14, 16, 18, 24	ZMH03007	4	ZMQ04010	4, 24, 28		
WA059006	20	YA041200	4	ZMB04054	16	ZMH03501	10	ZMQ04011	2, 4, 6, 20, 2		
WA080014	32	YA070100	2	ZMB05007	26	ZMH04001	2, 4, 8, 14, 22, 26, 30	ZMQ04012	8		
WA100019	16, 22	YD050010	2	ZMB06014	10		6, 14, 24	ZMQ04013	2, 4, 8, 20, 28		
WA120002	14	YD050014	2	ZMB06015	4	ZMH04003	20	ZMQ04014	4		
WB041002	6	YD050018	2	ZMC02505	16	ZMH04005	10, 14, 28				
WB051001	16, 18	ZMB02505	16	ZMC03009	16, 18	ZMH04009	14				
WB060002	10	ZMB03001	8, 16	ZMC04001	4	ZMH05001	10	ZMT03002	2		
WB080002	32	ZMB03004	20, 22	ZMC04007	2	ZMH05004	10	ZSB06004	32		
WC060004	20	ZMB03005	26	ZMC04010	2	ZMH05009	10, 20	ZSB06007	26		
WF000080	32	ZMB03011	10	ZMC04011	4	ZMH06003	10, 26	ZSB06017	14		
WG000006	4, 6	ZMB03020	4, 14, 26	ZMD03001	18	ZMH06007	24	ZSB08010	26		
WH105006	22	ZMB03021	24	ZMD04007	6	ZMJ04007	22	ZSB24002	26		
WH205003	16, 18	ZMB03025	4	ZMD05010	16, 18, 24	ZMJ04012	28		30		

---

**Parts Manual for Models 693EX & 694EX**

---



CONSOLIDATED SEWING MACHINE CORP.

INDUSTRIAL SEWING & CUTTING EQUIPMENT

**Main Office**

131 West 25th Street  
New York, NY 10001  
Tel: 212-741-7788  
Fax: 212-741-7787

**Miami Branch Office**

7855 N.W. 29th St. (#166)  
Miami, FL 33122  
Tel: 305-471-0200  
Fax: 305-471-0243

**West Coast Branch Office**

1400 South Broadway  
Los Angeles, CA 90015  
Tel: 213-745-8844  
Fax: 213-745-8855

e-mail: [consew@worldnet.att.net](mailto:consew@worldnet.att.net)

web: [www.consew.com](http://www.consew.com)